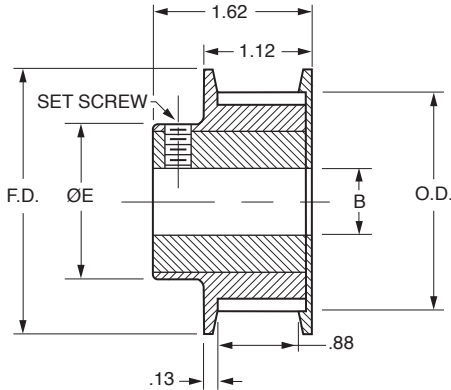


- MOLDED WITH INSERT
- **TRUE METRIC®** PROFILE
- DOUBLE FLANGE



FOR 20 mm BELTS (.787 INCH)

MATERIAL: Pulley – Nylon – Black, Fiberglass Reinforced
Insert – Aluminum

Catalog Number	No. of Grooves	P.D.	O.D. ±.005	F.D.	B Bore +.0015 +.0005	E Hub	Set Screw
A 6E28-014DF2016 A 6E28-014DF2020	14	1.404	1.350	1.75	.5000 .6250	1.12	#10-24
A 6E28-018DF2016 A 6E28-018DF2020	18	1.804	1.751	2.15	.5000 .6250	1.50	#10-24 1/4-20
A 6E28-022DF2016 A 6E28-022DF2020	22	2.206	2.152	2.56	.5000 .6250	1.50	#10-24 1/4-20
A 6E28-024DF2016 A 6E28-024DF2020 A 6E28-024DF2024	24	2.406	2.352	2.75	.5000 .6250 .7500	1.50	#10-24 1/4-20 1/4-20
A 6E28-026DF2016 A 6E28-026DF2020	26	2.607	2.553	2.95	.5000 .6250	1.50	#10-24 1/4-20
A 6E28-028DF2016 A 6E28-028DF2020	28	2.807	2.753	3.15	.5000 .6250	1.50	#10-24 1/4-20

Other bore sizes available on special request